

# Model No. C3SL42

42" SL-Series Built-In Gas Grill



## Exterior



## FEATURES

- Analog Temp Gauge
- Interior Light Switch
- Newly Handle & End Cap
- New Knob & Bezel (Multi-Light)
- 304 SS Construction
- Double Walled Hood
- Smudge Proof Control Panel
- Throw Light



## FEATURES

- Halogen Lighting
- 20K Btu Infinity Burners (Interchangeable)
- 304ss Laser Cut Grates
- Volcanic Stone Ceramic Briquettes
- Infrared Rear Burner
- Flame Thrower Ignition
- Integrated Wind Guard
- Spring Assisted Hood
- Heat Zone Separators
- Safety Valves (Thermocouple)
- Sear Burner

## Interior

## ACCESSORIES

- Griddle (C1GRDL)
- Rotisserie Kit (CROT42)
- Ceramic Briquettes (C3BRIQ42)
- Charcoal Tray (CCHTRAY15)
- Insulated Jacket (CJAKTCS42)
- Cover (CCVR42-BIG)
- Color Knob Inserts: CKNOBBK, CKNOBY, CKNOBSS, CKNOBR, CKNOBC
- Griddle Grate: C3SLSIGRATE42G | Beef Grate: C3SLSIGRATE42B
- Veggie Grate: C3SLSIGRATE42V | Poultry Grate: C3SLSIGRATE42P

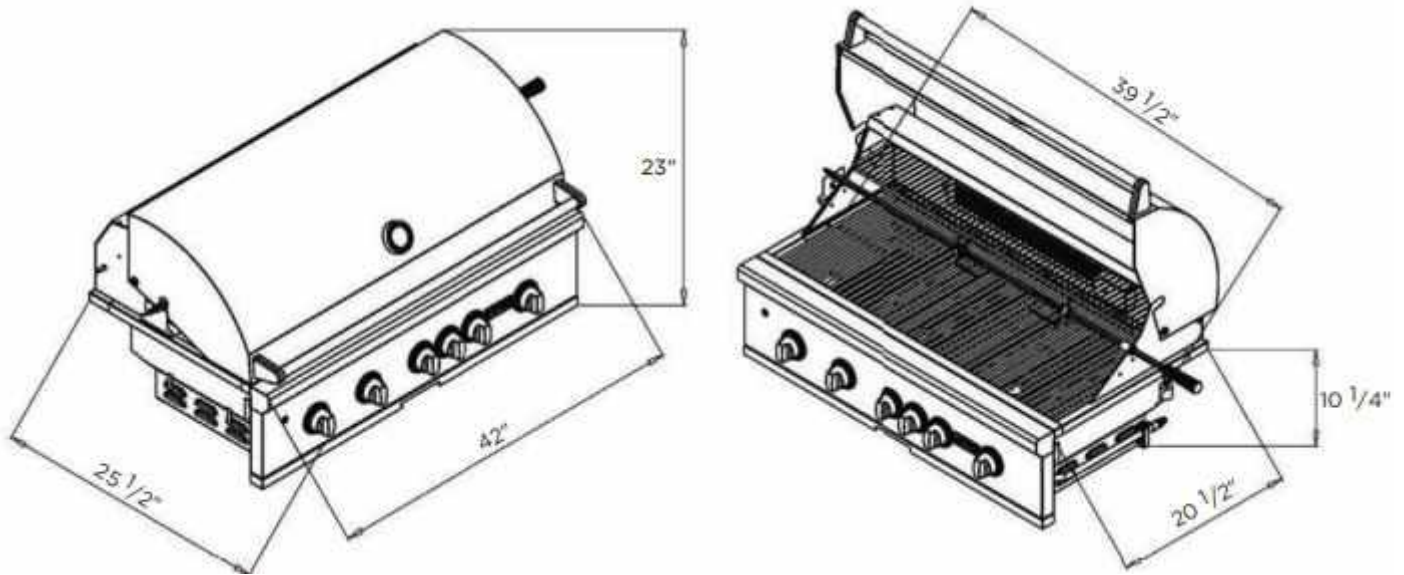
## DIMENSIONS

- Overall: 23" H x 42" W x 25.5" D
- Cutout: 10.25" H x 39.5" W x 20.5" D

# Model No. C3SL42

42" CL-Series Built-In Gas Grill

## DIMENSIONAL RENDERINGS



Overall Product Dimensions			
Model No.	Height	Width	Depth
C3SL42	23"	42"	25.5"

Cutout Product Dimensions			
Model No.	Height	Width	Depth
C3SL42	10.25"	39.5"	20.5"

Model No.	Gas Supply	BTU's	Regulator	WC Pressure	Max PSI	Electrical Requirements
C3SL42LP	Propane	110,000	20 lb Tank Regulator	11"	0.5 PSI	1 Qty - 120 VAC60 Hz Grounded Plug
C3SL42NG	Natural Gas	110,000	0.5" Female Pipe	4"	0.5 PSI	1 Qty - 120 VAC60 Hz Grounded Plug