

Model No. C3CL42

42" CL-Series Built-In Gas Grill



Exterior



FEATURES

- Analog Temp Gauge
- Interior Light Switch
- Newly Handle & End Cap
- New Knob & Bezel (White Light)
- 304 SS Construction
- Double Walled Hood
- Smudge Proof Control Panel



FEATURES

- Halogen Lighting
- 20K Btu Infinity Burners (Interchangeable)
- 304ss Rolled Grates
- Newly Designed Heat Control Grids
- Flame Thrower Ignition
- Integrated Wind Guard
- Spring Assisted Hood
- Heat Zone Separators
- Safety Valves (Thermocouple)

ACCESSORIES

- Sear Burner (C3SEARBURNER)
- Rotisserie Kit (CROT42)
- Ceramic Briquettes (C3BRIQ42)
- Charcoal Tray (CCHTRAY15)
- Insulated Jacket (CJAKTCS42)
- Cover (CCVR42-BIG)
- Color Knob Inserts: CKNOBBK, CKNOBY, CKNOBSS, CKNOBR, CKNOBC
- Griddle Grate: C3CLSIGRATE42G | Beef Grate: C3CLSIGRATE42B
- Veggie Grate: C3CLSIGRATE42V | Poultry Grate: C3CLSIGRATE42P

DIMENSIONS

- Overall: 23" H x 42.5" W x 25.5" D
- Cutout: 10.25" H x 39.5" W x 20.5" D

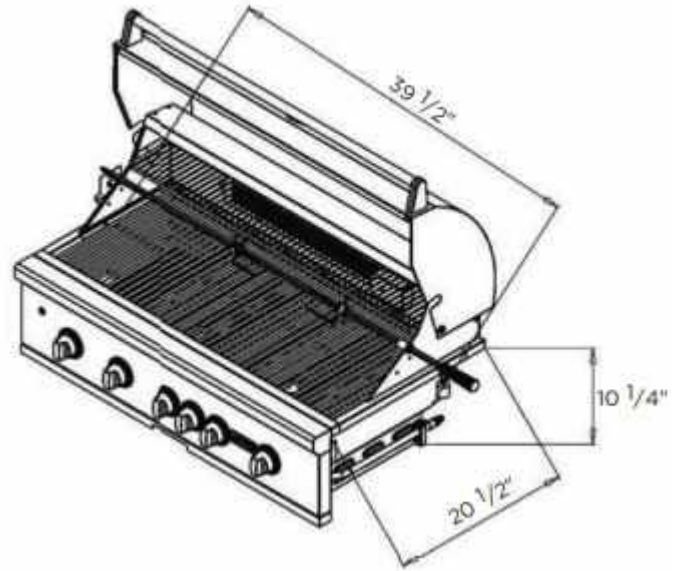
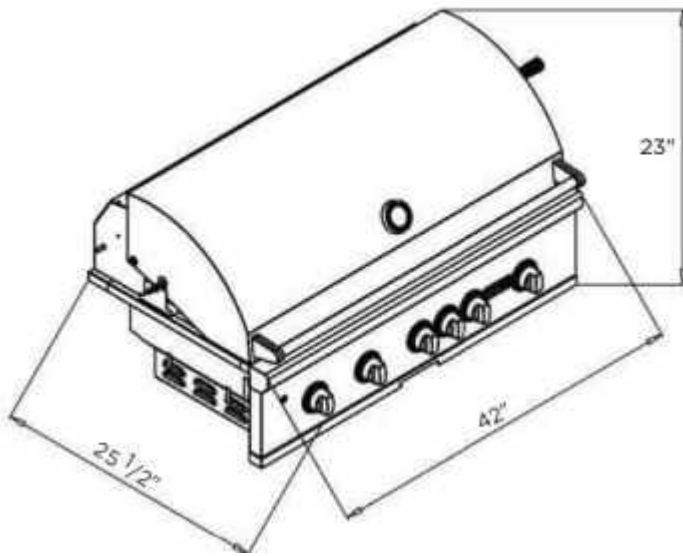


Interior

Model No. C3CL42

42" CL-Series Built-In Gas Grill

DIMENSIONAL RENDERINGS



Overall Product Dimensions			
Model No.	Height	Width	Depth
C3CL42	23"	42"	25.5"

Cutout Product Dimensions			
Model No.	Height	Width	Depth
C3CL42	10.25"	39.5"	20.5"

Model No.	Gas Supply	BTU's	Regulator	WC Pressure	Max PSI	Electrical Requirements
C3CL42LP	Propane	100,000	20 lb Tank Regulator	11"	0.5 PSI	1 Qty - 120 VAC60 Hz Grounded Plug
C3CL42NG	Natural Gas	100,000	0.5" Female Pipe	4"	0.5 PSI	1 Qty - 120 VAC60 Hz Grounded Plug